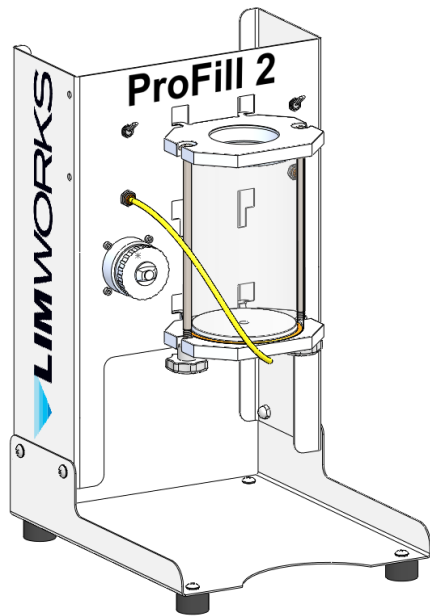


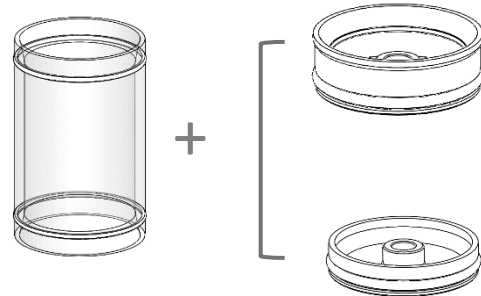
## ProFill 2 – Product Information

\* Transfer Material from Cups into Cartridges or Syringes \* Prevents Air Entrapment, Contact and Contamination \*

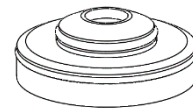
Frame with Chamber mounted



Standoff Pairs with a Follower Plate



Adapter for SpeedDispenser Mix Cup



## Low to High Viscosity Liquid Transfer System

- Pneumatic press conveys even thick materials with tool-free operation
- Standoffs and follower plates match mixing cups or sample containers
- Follower plates have port to adapt to cartridge or syringe filling
- Adapter plate available for FlackTek SpeedDispenser mixing cup
- Stand provides multiple mounting heights for chamber
- Chamber can be orientated up or down
- Pressure regulator with quick adjust knob and two valved ports
- Pneumatic wand accessory helps with follower plate retrieval
- Overall Dimensions: 20" Height, 14.5" Wide, 16" Deep
- Chamber Dimensions: 5" Inner Diameter x 8.25" Tall
- Requires 80 psi air supply

**LIMWORKS, LLC**

Phone +1 (833) 546-9675 - [limworks.com](http://limworks.com)

## **ProFill 2 – Product Information**

### **Transfer your materials with greater Precision, Ease, and Efficiency.**

- **Wide Application**

Materials in cups or sample containers can be easily transferred to cartridges or syringes for more convenient handling. The pneumatic chamber is configurable for height and orientation. Applications for food industry, LSR's, adhesives, caulks, and lubricants.

- **Easy Repackaging**

The pneumatic chamber transfers high or low viscosity material from a cup or container into a cartridge or syringe. Follower plates are matched to the material source and adapters are matched to the destination.

- **Eliminate Air**

Smooth and steady flow of material prevents folding air into material during transfer.

- **Follower Plates for a Perfect Fit**

Follower plates are designed to extract material from the container, with an elastomeric seal and a perfect fit to prevent blowby.

- **Adapters for Any Use**

Pick an adapter for your desired cartridge or syringe and attach it to the follower plate.

- **Tool Free Operation**

Large knobs turn to secure the chamber caps and drop-in slots allow the chamber to be repositioned and reoriented quickly.

- **Simple Controls**

Set pressure easily with a turn of a knob and features two output ports with independent toggle valves for convenience.

*ProFill 2 is Patent Pending*